



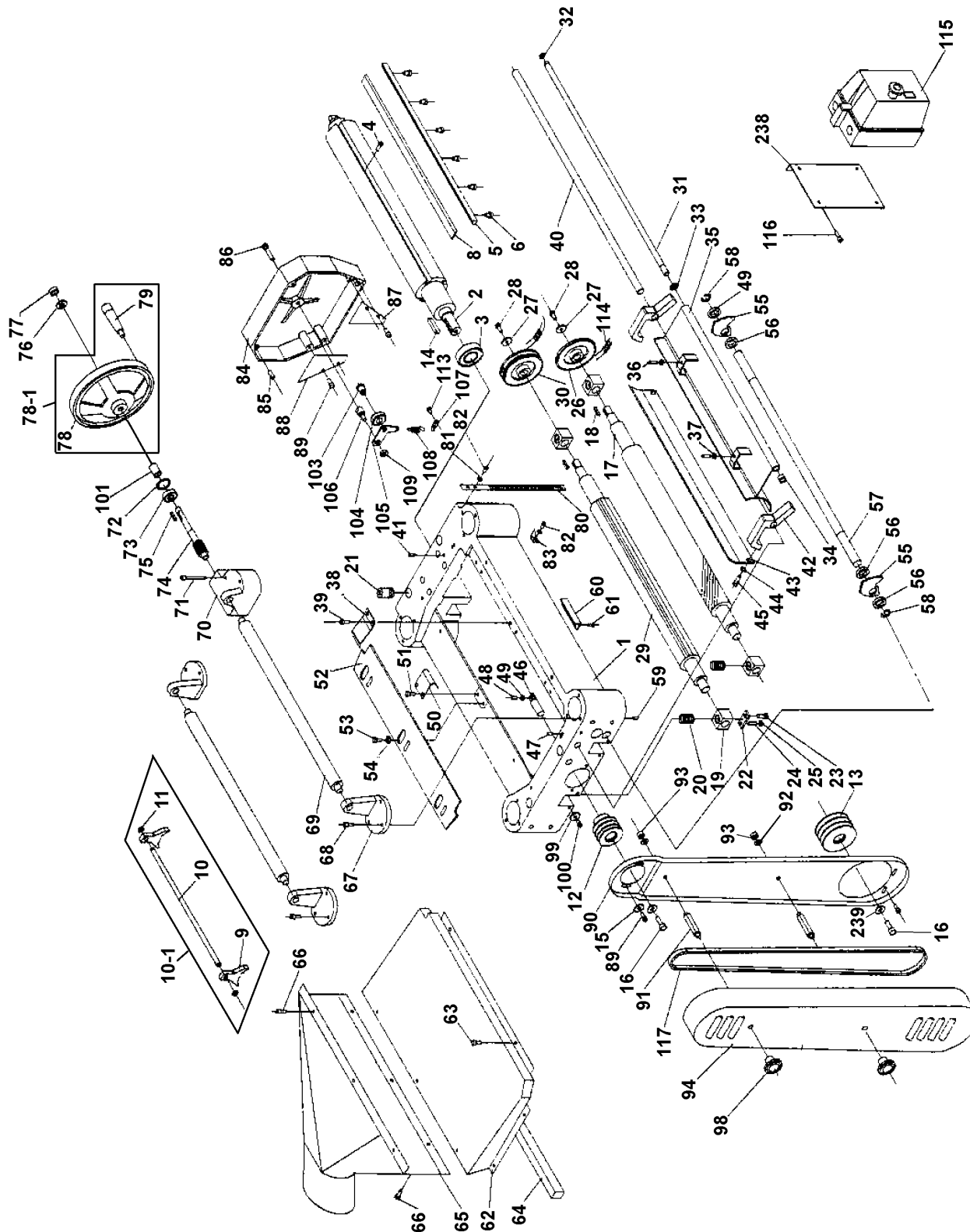
20" Planer Raboteuse 20"



Revised/Revisé 08/2008

Cutterhead Diagram / Diagramme de la Tête de Coupe

KC-520C





Service Manual / Manuel de Service

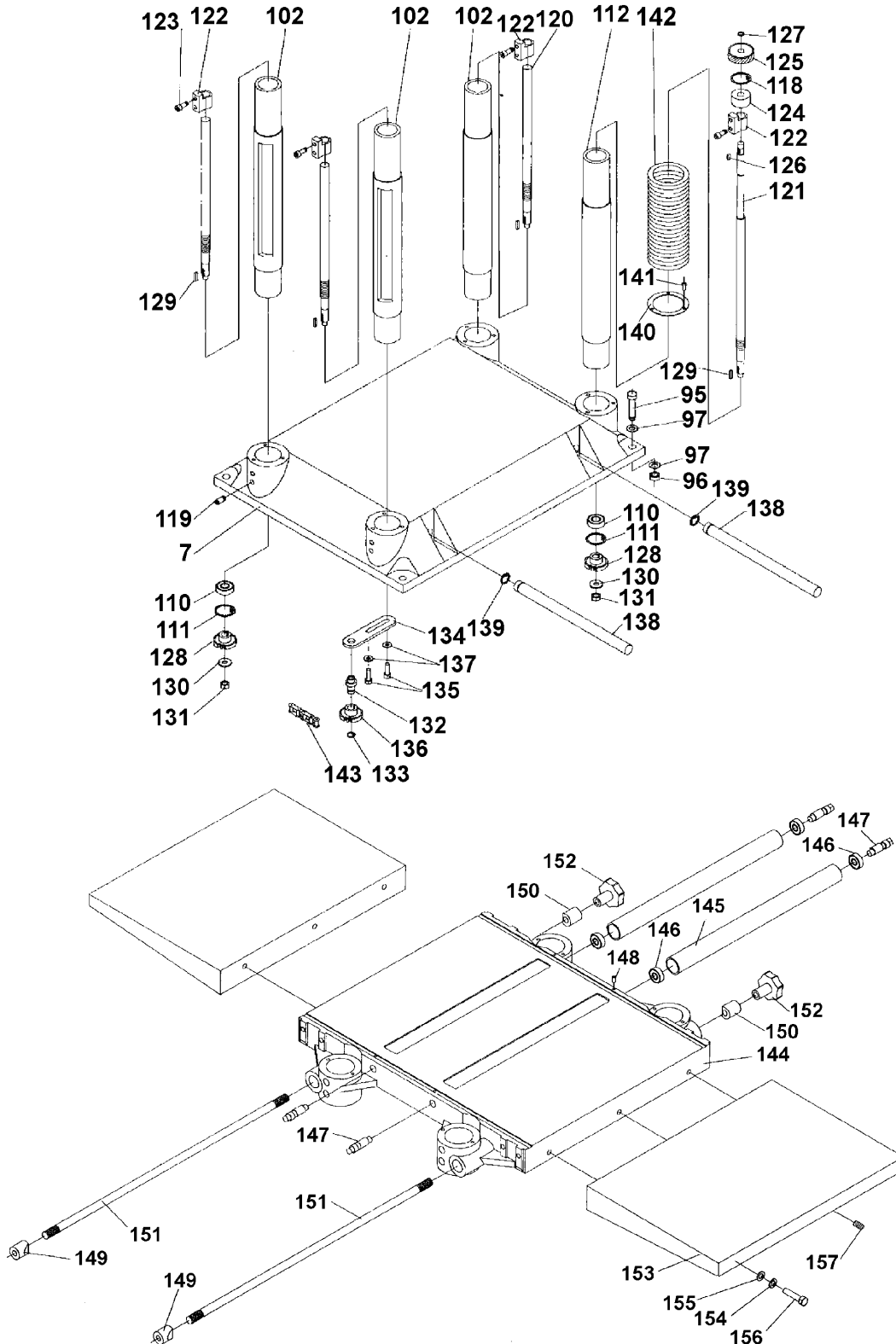
20" Planer Raboteuse 20"



Revised/Revisé 08/2008

Table & Column Diagram / Diagramme de la Table et Colonne

KC-520C





Service Manual / Manuel de Service

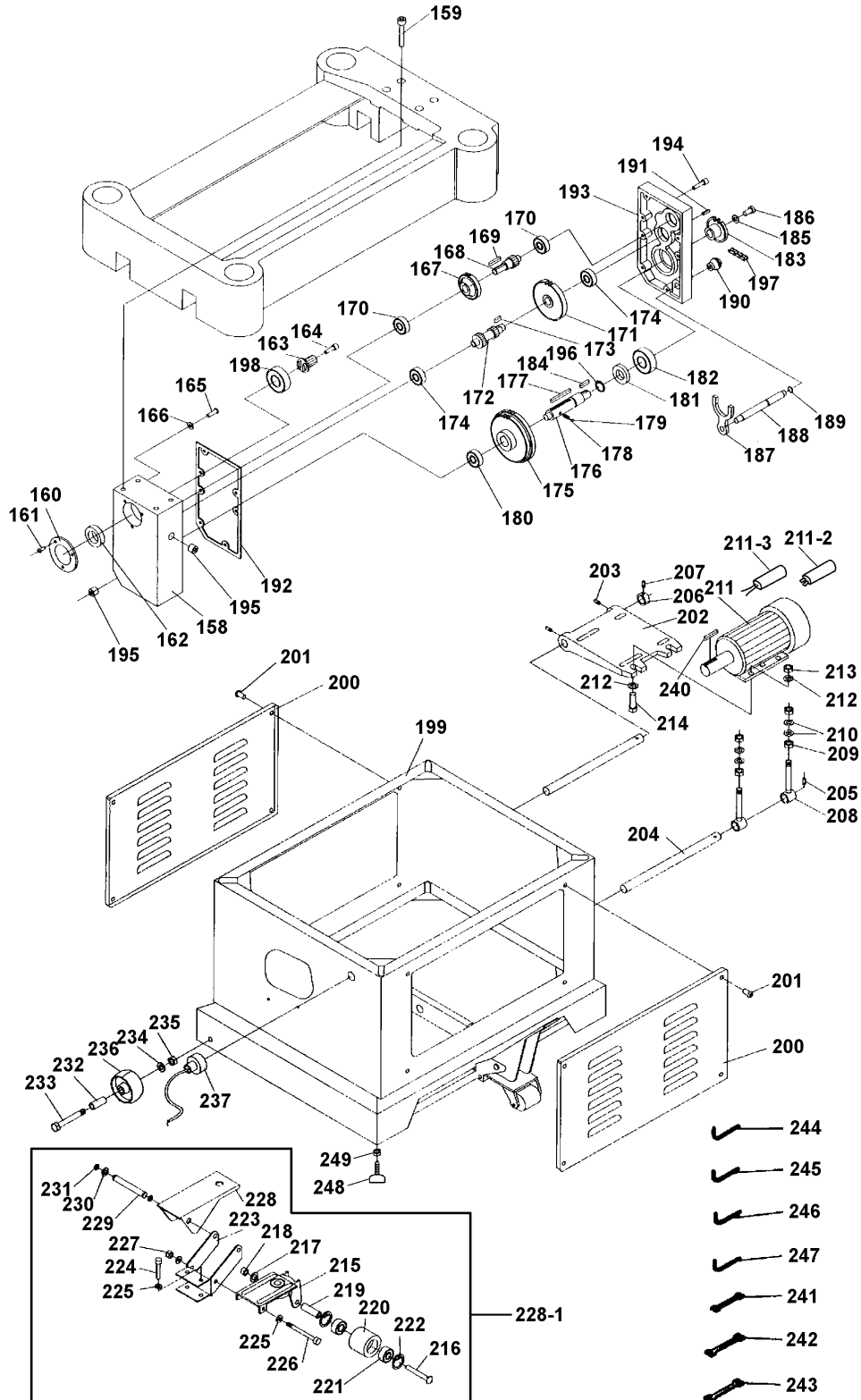
20" Planer Raboteuse 20"



Revised/Revisé 08/2008

Base & Gear Box Diagram / Diagramme du Support et Boîtier D'Engrenage

KC-520C





Parts Pricing List / Liste de Prix des Pièces **KC-520C**

Diag.	Order # Com.	English Description	Description Française	Qty./Qté.	Price/Prix
1	4505200010	HEAD CASTING	TETE EN FONTE	1	\$572.70
2	4505200020	20" CUTTERHEAD (4 KNIVES)	TETE DE COUPE 20" (4 COUTEAUX)	1	\$373.75
3	4505200030	BALL BEARING	ROULEMENT A BILLES	1	\$22.94
4	4505200040	KNIFE JACK SCREW	VIS D'ELEVATION DES COUTEAUX	8	\$2.13
5	4505200050	KNIFE LOCKING BAR	BARRE DE VERROUILLAGE	4	\$27.31
6	4505200060	KNIFE SETTING SCREW	BOULON DE VERROUILLAGE	24	\$2.70
7	4505200070	BASE	SOCLE	1	\$538.20
8	KKC-20	KNIFE SET (4)	JEU DE COUTEAUX (4)	1	-
9	4505200090	KNIFE GAUGE	JAUGE A COUTEAUX	2	\$10.18
10	4505200100	KNIFE GAUGE BAR	TIGE DU JAUGE A COUTEAUX	1	\$11.10
10-1	4505200101	KNIFE GAUGE ASS'Y	JAUGE A COUTEAUX COMPLET	1	\$34.44
11	4505200110	RETAINING RING "E"	ANNEAU DE RETENU "E"	4	\$1.50
12	4505200120	CUTTERHEAD PULLEY (3 BELTS)	POULIE/TETE DE COUPE (3 COUR.)	1	\$22.94
13	4505200130	MOTOR PULLEY (3 BELTS)	POULIE DU MOTEUR (3 COURROIES)	1	\$34.33
14	4505200140	CUTTERHEAD KEY	CLE DE RETENUE	1	\$2.59
15	4505200150	SPECIAL WASHER	RONDELLE SPECIALE	1	\$3.16
16	4505200160	HEX. BOLT	BOULON HEXAGONAL	2	\$1.84
17	4505200170	20" INFEED ROLLER	ROULEAU D'ALIMENTATION 20"	1	\$194.35
18	4505200180	INFEED ROLLER KEY	CLE DE RETENUE	2	\$1.96
19	4505200190	ROLLER BUSHING	SUPPORT DE ROULEAU	4	\$12.59
20	4505200200	SPRING	RESSORT A COMPRESSION	4	\$4.54
21	4505200210	ADJUSTING SCREW (HEADLESS)	VIS D'AJUSTEMENT (SANS TETE)	4	\$4.54
22	4505200220	PLATE	PLAQUE	4	\$3.62
23	4505200230	HEX. BOLT	BOULON HEXAGONAL	4	\$1.78
24	4505200240	SET SCREW	VIS SANS TETE	4	\$1.67
25	4505200250	HEX. NUT	ECROU HEXAGONAL	4	\$1.67
26	4505200260	CHAIN SPROCKET	ENGRENAGE A PIGNON	1	\$38.93
27	4505200270	WASHER	RONDELLE	2	\$1.90
28	4505200280	HEX. BOLT	BOULON HEXAGONAL	2	\$1.67
29	4505200290	20" OUTFEED ROLLER	ROULEAU DE SORTIE 20"	1	\$159.85
30	4505200300	DOUBLE CHAIN SPROCKET -31T	ENGRENAGE A PIGNON DOUBLE	1	\$67.56
31	4505200310	CHIP BREAKER ROD	TIGE DU BRISE COPEAUX	1	\$22.83
32	4505200320	RETAINING RING/SHAFT	ANNEAU DE RETENU/TIGE	1	\$1.55
33	4505200330	SPRING WASHER	RONDELLE A RESSORT	1	\$1.78
34	4505200340	HEX. NUT	ECROU HEXAGONAL	1	\$1.78
35	4505200350	CHIP BREAKER	BRISE COPEAUX	1	\$103.44
36	4505200360	SET SCREW	VIS SANS TETE	2	\$1.67
37	4505200370	HEX. NUT	ECROU HEXAGONAL	2	\$1.67
38	4505200380	PLATE SPRING	PLAQUE A RESSORT	1	\$4.43
39	4505200390	HEX. BOLT	BOULON HEXAGONAL	6	\$1.67
40	4505200400	PIVOT ROD	TIGE DE PIVOTEMENT	1	\$19.26
41	4505200410	SET SCREW	VIS SANS TETE	1	\$1.67
42	4505200420	CHIP BREAKER BRACKET	SUPPORT DU BRISE COPEAUX	2	\$14.78
43	4505200430	PRESSURE PLATE	PLAQUE DE PRESSION	1	\$43.30
44	4505200440	SPRING WASHER	RONDELLE A RESSORT	2	\$1.67
45	4505200450	HEX. BOLT	BOULON HEXAGONAL	2	\$1.78
46	4505200460	ADJUSTING SHAFT	TIGE D'AJUSTEMENT	2	\$5.69

Pricing subject to change without prior notice. / Prix sujet à changement sans préavis.



Parts Pricing List / Liste de Prix des Pièces **KC-520C**

Diag.	Order # Com.	English Description	Description Française	Qty./Qté.	Price/Prix
47	4505200470	SET SCREW	VIS SANS TETE	2	\$1.61
48	4505200480	SET SCREW	VIS SANS TETE	2	\$1.78
49	4505200490	HEX. NUT	ECROU HEXAGONAL	2	\$1.67
50	4505200500	PLATE SPRING	PLAQUE A RESSORT	1	\$3.85
51	4505200510	HEX. BOLT	BOULON HEXAGONAL	1	\$1.67
52	4505200520	CHIP DEFLECTOR PLATE	PLAQUE/DEFLECTION DES COPEAUX	1	\$22.94
53	4505200530	HEX. BOLT	BOULON HEXAGONAL	3	\$1.67
54	4505200540	WASHER	RONDELLE	3	\$1.55
55	4505200550	ANTI-KICKBACK FINGER	DOIGT ANTI-RECU	56	\$4.54
56	4505200560	COLLAR	COLLIER	57	\$2.70
57	4505200570	SHAFT	TIGE	1	\$21.68
58	4505200580	RETAINING RING "E"	ANNEAU DE RETENU EN "E"	2	\$2.01
59	4505200590	SET SCREW	VIS SANS TETE	1	\$1.90
60	4505200600	CUT LIMITER PLATE	PLAQUE LIMITE DE COUPES	1	\$4.31
61	4505200610	COUNTERSUNK HD. SCREW	VIS A TETE FRAISER	2	\$1.78
62	4505200620	UPPER COVER	COUVERCLE SUPERIEUR	1	\$61.70
63	4505200630	HEX. BOLT	BOULON HEXAGONAL	6	\$1.73
64	4505200640	FOAM SEAL	JOINT D'ETANCHEITE EN MOUSSE	1	\$4.54
65	4505200650	DUST COLLECTOR HOOD	COLLECTEUR DE COPEAUX	1	\$137.83
66	4505200660	CAP SCREW	BOULON A TETE CYLINDRIQUE	6	\$1.73
67	4505200670	ROLLER BRACKET	SUPPORT DU ROULEAU	3	\$15.93
68	4505200680	CAP SCREW	BOULON A TETE CYLINDRIQUE	9	\$2.24
69	4505200690	ROLLER	ROULEAU	2	\$29.61
70	4505200700	WORM GEAR HOUSING	BOITIER D'ENGRENAGE	1	\$68.83
71	4505200710	CAP SCREW	BOULON A TETE CYLINDRIQUE	3	\$3.05
72	4505200720	RETAINING RING/SHAFT	ANNEAU DE RETENU/TIGE	1	\$2.36
73	4505200730	BALL BEARING	ROULEMENT A BILLES	1	\$11.10
74	4505200740	WORM GEAR SHAFT	TIGE A ENGRENAGE SANS FIN	1	\$37.55
75	4505200750	KEY	CLE DE RETENUE	1	\$1.90
76	4505200760	WASHER	RONDELLE	1	\$1.67
77	4505200770	HEX. NUT	ECROU HEXAGONAL	1	\$1.78
78	4505200780	HANDWHEEL	MANIVELLE D'OPERATION	1	\$45.94
78-1	4505200781	HANDWHEEL ASS' Y	MANIVELLE ET POIGNEE ASS.	1	\$74.58
79	4505200790	WHEEL HANDLE	POIGNEE DE MANIVELLE	1	\$12.25
80	4505200800	DEPTH SCALE	EHELLE DE PROFONDEUR	1	\$11.44
81	4505200810	WASHER	RONDELLE	3	\$1.55
82	4505200820	PAN HD. SCREW	VIS A TETE BOMBEE	3	\$1.61
83	4505200830	CUT LIMIT POINTER	INDICATEUR DE PROFONDEUR	1	\$3.74
84	4505200840	CHAIN GEAR COVER	COUV. DES ENGRENAGES A CHAINE	1	\$68.60
85	4505200850	SPRING PIN	GOUPILLE A RESSORT	2	\$1.78
86	4505200860	CAP SCREW	BOULON A TETE CYLINDRIQUE	1	\$2.13
87	4505200870	SAFETY HATCH (RIGHT)	PLAQUE DE SECURITE (DROITE)	1	\$6.15
88	4505200880	SAFETY HATCH (LEFT)	PLAQUE DE SECURITE (GAUCHE)	1	\$6.50
89	4505200890	HEX. BOLT	BOULON HEXAGONAL	8	\$1.67
90	4505200900	BELT GUARD (INSIDE)	PROTECTEUR DES COURROIES	1	\$49.16
91	4505200910	SPACER BOLT	BOULON ESPACEUR	2	\$4.54
92	4505200920	WASHER	RONDELLE	2	\$1.55

Pricing subject to change without prior notice. / Prix sujet à changement sans préavis.



Parts Pricing List / Liste de Prix des Pièces **KC-520C**

Diag.	Order # Com.	English Description	Description Française	Qty./Qté.	Price/Prix
93	4505200930	HEX. NUT	ECROU HEXAGONAL	2	\$1.55
94	4505200940	BELT COVER	COUVERCLE DES COURROIES	1	\$80.33
95	4505200950	HEX. BOLT	BOULON HEXAGONAL	4	\$2.82
96	4505200960	HEX. NUT	ECROU HEXAGONAL	4	\$1.78
97	4505200970	WASHER	RONDELLE	8	\$1.90
98	4505200980	LOCKING KNOB	BOUTON DE VERROUILLAGE	2	\$4.54
99	4505200990	WASHER	RONDELLE	4	\$1.55
100	4505201000	HEX. BOLT	BOULON HEXAGONAL	4	\$1.67
101	4505201010	COLLAR (SPACER)	BAGUE ESPACEUR	1	\$3.74
102	4505201020	COLUMN	COLONNE	3	\$114.83
103	4505201030	TENSION WHEEL SHAFT	TIGE DE LA ROUE A TENSION	1	\$5.69
104	4505201040	TENSION WHEEL	ROUE DE TENSION	1	\$6.15
105	4505201050	WHEEL BRACKET	SUPPORT DE LA ROUE	1	\$5.35
106	4505201060	THREADED SHAFT	TIGE VISSEE	1	\$6.15
107	4505201070	HANGER	CROCHET	1	\$4.20
108	4505201080	SPRING	RESSORT	1	\$2.70
109	4505201090	COLLAR	COLLET	1	\$2.70
110	4505201100	BALL BEARING	ROULEMENT A BILLES	4	\$11.44
111	4505201110	RETAINING RING/BORE	ANNEAU DE RETENU/ALESAGE	4	\$2.47
112	4505201120	HANDWHEEL COLUMN	COLONNE DE LA MANIVELLE	1	\$114.83
113	4505201130	CAP SCREW	BOULON A TETE CYLINDRIQUE	2	\$1.73
114	4505201140	CHAIN	CHAINE	1	\$25.70
115	4505201150	MAGNETIC SWITCH (220V-15A)	INTERR. MAGNETIQUE 220V-15A	1	\$195.33
116	4505201160	CAP SCREW	BOULON A TETE CYLINDRIQUE	2	\$1.67
117	4505201170	V-BELT	COURROIE EN V	3	\$14.89
118	4505201180	RETAINING RING/BORE	ANNEAU DE RETENUE/ALESAGE	4	\$2.70
119	4505201190	SET SCREW	VIS SANS TETE	16	\$2.01
120	4505201200	LEAD SCREW	TIGE D'ELEVATION	3	\$52.84
121	4505201210	HANDWHEEL LEAD SCREW	TIGE D'ELEVATION POUR MANIVELLE	1	\$57.33
122	4505201220	ELEVATING NUT	ECROU POUR ELEVATION	4	\$10.75
123	4505201230	CAP SCREW	BOULON A TETE CYLINDRIQUE	8	\$1.84
124	4505201240	BUSHING	BAGUE	1	\$9.03
125	4505201250	GEAR	ENGRENAGE	1	\$29.73
126	4505201260	KEY	CLE DE RETENUE	1	\$1.78
127	4505201270	RETAINING RING/SHAFT	ANNEAU DE RETENU/TIGE	1	\$1.55
128	4505201280	CHAIN SPROCKET	ENGRENAGE A PIGNON	4	\$25.24
129	4505201290	KEY	CLE DE RETENUE	4	\$1.78
130	4505201300	WASHER	RONDELLE	4	\$1.67
131	4505201310	HEX. NUT	ECROU HEXAGONAL	4	\$2.59
132	4505201320	SPROCKET SHAFT	TIGE D'ENGRENAGE A PIGNON	1	\$11.33
133	4505201330	RETAINING RING/SHAFT	ANNEAU DE RETENU/TIGE	1	\$1.55
134	4505201340	SPROCKET BRACKET	SUPPORT DE L'ENGRENAGE	1	\$6.84
135	4505201350	HEX. BOLT	BOULON HEXAGONAL	2	\$1.84
136	4505201360	CHAIN SPROCKET	ENGRENAGE A PIGNON	1	\$25.24
137	4505201370	WASHER	RONDELLE	2	\$2.13
138	4505201380	LIFTING BAR	BARRE DE SOULEVEMENT	4	\$14.55
139	4505201390	RETAINING RING/SHAFT	ANNEAU DE RETENU/TIGE	4	\$2.24

Pricing subject to change without prior notice. / Prix sujet à changement sans préavis.



Parts Pricing List / Liste de Prix des Pièces **KC-520C**

Diag.	Order # Com.	English Description	Description Française	Qty./Qté.	Price/Prix
140	4505201400	PROTECTOR RING	ANNEAU POUR PROTECTEUR	16	\$5.69
141	4505201410	PAN HD. SCREW	VIS A TETE BOMBEE	32	\$1.67
142	4505201420	COLUMN PROTECTOR	PROTECTEUR DE COLONNE	8	\$11.33
143	4505201430	CHAIN	CHAINE	1	\$52.73
144	4505201440	MIDDLE TABLE	TABLE	1	\$569.25
145	4505201450	ROLLER	ROULEAU	2	\$50.43
146	4505201460	BALL BEARING	ROULEMENT A BILLES	4	\$11.10
147	4505201470	ECCENTRIC SHAFT	TIGE EXCENTRIQUE	4	\$12.59
148	4505201480	SET SCREW	VIS SANS TETE	4	\$1.61
149	4505201490	THREADED BUSHING	BAGUE FILETEE	2	\$5.69
150	4505201500	LOCK BUSHING	BAGUE DE VERROUILLAGE	2	\$5.35
151	4505201510	LOCKING BOLT	TIGE VISSEE DE VERROUILLAGE	2	\$16.85
152	4505201520	LOCKING KNOB	BOUTON DE VERROUILLAGE	2	\$9.60
153	4505201530	CAST IRON EXTENSION TABLE	TABLE D'EXTENSION EN FONTE	2	\$205.85
154	4505201540	SPRING WASHER	RONDELLE A RESSORT	6	\$1.67
155	4505201550	WASHER	RONDELLE	6	\$1.61
156	4505201560	HEX. BOLT	BOULON HEXAGONAL	6	\$1.96
157	4505201570	SET SCREW	VIS SANS TETE	6	\$2.24
158	4505201580	GEAR HOUSING	BOITIER DE LA BOITE A ENGRENAGE	1	\$96.43
159	4505201590	CAP SCREW	BOULON A TETE CYLINDRIQUE	4	\$2.47
160	4505201600	FLANGE COVER	COUV. DU JOINT D'ETANCHEITE	1	\$4.54
161	4505201610	CAP SCREW	BOULON A TETE CYLINDRIQUE	3	\$1.90
162	4505201620	OIL SEAL	ANNEAU D'ETANCHEITE	1	\$13.74
163	4505201630	HELICAL GEAR	ENGRENAGE HELICOIDAL	1	\$21.56
164	4505201640	CAP SCREW	BOULON A TETE CYLINDRIQUE	1	\$2.70
165	4505201650	PAN HD. SCREW	VIS A TETE BOMBEE	1	\$1.67
166	4505201660	WASHER	RONDELLE	1	\$1.55
167	4505201670	GEAR	ENGRENAGE	1	\$33.75
168	4505201680	GEAR SHAFT	TIGE D'ENGRENAGE	1	\$20.30
169	4505201690	KEY	CLE DE RETENUE	1	\$1.84
170	4505201700	BALL BEARING	ROULEMENT A BILLES	2	\$11.10
171	4505201710	GEAR	ENGRENAGE	1	\$36.74
172	4505201720	GEAR SHAFT	TIGE D'ENGRENAGE	1	\$27.43
173	4505201730	KEY	CLE DE RETENUE	1	\$1.78
174	4505201740	BALL BEARING	ROULEMENT A BILLES	2	\$11.10
175	4505201750	DOUBLE GEAR ASS'Y	ENGRENAGE DOUBLE ASSEMBLE	1	\$103.39
176	4505201760	SHAFT FOR GEAR	TIGE POUR ENGRENAGE	1	\$34.44
177	4505201770	KEY	CLE DE RETENUE	1	\$2.24
178	4505201780	SPRING	RESSORT	1	\$2.70
179	4505201790	STEEL BALL	BILLE EN ACIER	1	\$2.01
180	4505201800	BALL BEARING	ROULEMENT A BILLES	1	\$11.10
181	4505201810	BALL BEARING	ROULEMENT A BILLES	1	\$22.94
182	4505201820	OIL SEAL	ANNEAU D'ETANCHEITE	1	\$13.63
183	4505201830	CHAIN SPROCKET	ENGRENAGE A PIGNON	1	\$17.08
184	4505201840	KEY	CLE DE RETENUE	1	\$1.78
185	4505201850	WASHER	RONDELLE	1	\$1.55
186	4505201860	HEX. BOLT	BOULON HEXAGONAL	1	\$1.67

Pricing subject to change without prior notice. / Prix sujet à changement sans préavis.



Parts Pricing List / Liste de Prix des Pièces **KC-520C**

Diag.	Order # Com.	English Description	Description Française	Qty./Qté.	Price/Prix
187	4505201870	CLUTCH FORK	FOURCHETTE D'EMBRAYAGE	1	\$15.93
188	4505201880	CLUTCH SHAFT	TIGE D'EMBRAYAGE	1	\$14.55
189	4505201890	OIL RING	ANNEAU D'ETANCHEITE	1	\$2.01
190	4505201900	SPEED SHAFT KNOB	BOUTON DE LA TIGE DES VITESSES	1	\$3.39
191	4505201910	SPRING PIN	GOUPILLE A RESSORT	2	\$2.01
192	4505201920	GASKET	JOINT SCELLANT DU BOITIER	1	\$10.06
193	4505201930	GEAR BOX COVER	COUV. DE LA BOITE A ENGRENAGE	1	\$67.68
194	4505201940	CAP SCREW	BOULON A TETE CYLINDRIQUE	5	\$2.70
195	4505201950	OIL PLUG	BOUCHON A L'HUILE	2	\$3.39
196	4505201960	RETAINING RING/SHAFT	ANNEAU DE RETENU/TIGE	1	\$2.13
197	4505201970	CHAIN	CHAINE	1	\$17.19
198	4505201980	BALL BEARING	ROULEMENT A BILLES	1	\$22.94
199	4505201990	CABINET STAND	SUPPORT CABINET	1	\$442.75
200	4505202000	COVER	COUVERCLE D'AERATION	2	\$63.25
201	4505202010	SINKING HD. SCREW	VIS A TETE FRAISER	8	\$1.90
202	4505202020	MOTOR MOUNT PLATE	PLAQUE SUPPORT DU MOTEUR	1	\$28.69
203	4505202030	CAP SCREW	BOULON A TETE CYLINDRIQUE	2	\$1.78
204	4505202040	CONNECTING ROD	TIGE DE PIVOTEMENT	2	\$16.04
205	4505202050	CAP SCREW	BOULON A TETE CYLINDRIQUE	2	\$1.67
206	4505202060	COLLAR	COLLET	1	\$3.74
207	4505202070	SET SCREW	VIS SANS TETE	1	\$1.55
208	4505202080	ADJUST BOLT	BOULON D'AJUSTEMENT	2	\$11.90
209	4505202090	HEX. NUT	ECROU HEXAGONAL	4	\$1.78
210	4505202100	WASHER	RONDELLE	4	\$1.90
211	4505202110	MOTOR - 3HP	MOTEUR -3CV	1	\$562.35
211-2	4505202112	STARTING CAPACITOR	CONDENSATEUR DE DEMARRAGE	1	\$34.33
211-3	4505202113	RUNNING CAPACITOR	CONDENSATEUR D'OPERATION	1	\$24.90
212	4505202120	WASHER	RONDELLE	8	\$1.61
213	4505202130	HEX. NUT	ECROU HEXAGONAL	4	\$1.61
214	4505202140	HEX. BOLT	BOULON HEXAGONAL	4	\$1.96
215	4505202150	TROLLEY BRACKET	SUPPORT DU CHARIOT	1	\$26.05
216	4505202160	SPECIAL BOLT	BOULON SPECIAL	1	\$3.97
217	4505202170	WASHER	RONDELLE	1	\$1.67
218	4505202180	NYLON HEX. NUT	ECROU HEXAGONAL AVEC NYLON	1	\$1.73
219	4505202190	SLEEVE	MANCHON	1	\$3.62
220	4505202200	TROLLEY WHEEL	ROUE DU CHARIOT	1	\$21.68
221	4505202210	BALL BEARING	ROULEMENT A BILLES	2	\$11.44
222	4505202220	RETAINING RING/BORE	ANNEAU DE RETENU/ALESAGE	2	\$2.59
223	4505202230	PEDAL BRACKET	SUPPORT DE LA PEDALE	1	\$14.20
224	4505202240	HEX. BOLT	BOULON HEXAGONAL	2	\$2.24
225	4505202250	WASHER	RONDELLE	4	\$1.67
226	4505202260	HEX. BOLT	BOULON HEXAGONAL	1	\$3.97
227	4505202270	HEX. NUT	ECROU HEXAGONAL	1	\$1.61
228	4505202280	PEDAL	PEDALE	1	\$16.96
228-1	4505202281	COMPLETE PEDAL ASS'Y	PEDALE COMPLETE ASSEMBLE	1	\$84.93
229	4505202290	SHAFT	TIGE	1	\$5.00
230	4505202300	WASHER	RONDELLE	2	\$1.67

Pricing subject to change without prior notice. / Prix sujet à changement sans préavis.



Parts Pricing List / Liste de Prix des Pièces **KC-520C**

Diag.	Order # Com.	English Description	Description Française	Qty./Qté.	Price/Prix
231	4505202310	RETAINING RING "E"	ANNEAU DE RETENU "E"	2	\$1.55
232	4505202320	SLEEVE	MANCHON	2	\$3.28
233	4505202330	HEX. BOLT	BOULON HEXAGONAL	2	\$3.74
234	4505202340	WASHER	RONDELLE	4	\$1.61
235	4505202350	HEX. NUT	ECROU HEXAGONAL	2	\$1.67
236	4505202360	REAR WHEEL	ROUE ARRIERE	2	\$16.04
237	4505202370	STRAIN RELIEF	ATTACHE-CORDON	1	\$2.70
238	4505202380	SWITCH PLATE	PLAQUE DE L'INTERRUPTEUR	1	\$11.10
239	4505202390	SPECIAL WASHER (LARGE)	RONDELLE SPECIALE (LARGE)	2	\$3.16
240	4505202400	MOTOR KEY	CLE DE RETENUE	1	\$2.01
241	4505202410	OPEN END WRENCH 8-10MM	CLE OUVERTE 8-10MM	1	\$4.43
242	4505202420	OPEN END WRENCH 12-14MM	CLE OUVERTE 12-14MM	1	\$4.54
243	4505202430	OPEN END WRENCH 17-19MM	CLE OUVERTE 17-19MM	1	\$4.89
244	4505202440	ALLEN KEY (M3)	CLE HEXAGONALE (M3)	1	\$2.59
245	4505202450	ALLEN KEY (M4)	CLE HEXAGONALE (M4)	1	\$2.70
246	4505202460	ALLEN KEY (M5)	CLE HEXAGONALE (M5)	1	\$2.82
247	4505202470	ALLEN KEY (M6)	CLE HEXAGONALE (M6)	1	\$2.93
248	4505202480	FOOT & THREADED SHAFT	PIED ET TIGE FILETEE	2	\$4.43
249	4505202490	HEX. NUT	ECROU HEXAGONAL	2	\$1.61
555-5	4505205555	HARDWARE BAG	SAC DE QUICAILLERIE	1	\$51.69
	450520MBIL	BILINGUAL MANUAL KC-520C	MANUEL BILINGUE KC-520C	1	\$15.00